

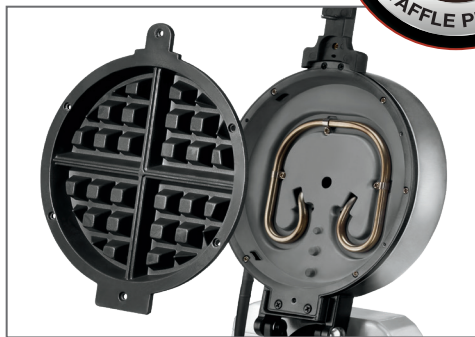


WW180XCE/XCK

Single Belgian Waffle Maker



Single Belgian Waffle Maker



MAIN FEATURES

- Produces up to 25 Belgian waffles (2.5 cm thick) per hour
- Heavy-duty, commercial construction for durability
- Rotary feature for even baking and browning
- Triple-coated nonstick plates allow for easy removal of waffles and quick cleanup
- Plates are user serviceable for easy onsite replacement if scratched
- Power ON and READY-TO-BAKE LED indicators, plus audio chime signals when the unit is ready to cook and when the waffle is ready to serve
- Removable, dishwasher-safe drip tray makes cleanup quick and easy
- Limited One Year Warranty on machine, 90-day warranty on plates

ELECTRICAL

Voltage: 220-240

Frequency: 50/60Hz

KW: 1.2

Amps: 10

Plug Type: WW180XCE - F 
WW180XCK - G 

Cord Length: .91 Meters



SALES FEATURES

Elevate your menu by taking waffles beyond breakfast and into sweet and savory dishes. Designed with a rotary feature to ensure even results, the Waring® WW180XECE/CK Single Belgian Waffle Maker bakes up to 25 Belgian waffles per hour. Triple-coated nonstick plates easily release flawlessly formed Belgian waffles – and because the plates are user serviceable, they are simple to replace if scratched.

WW180XCE/XCK



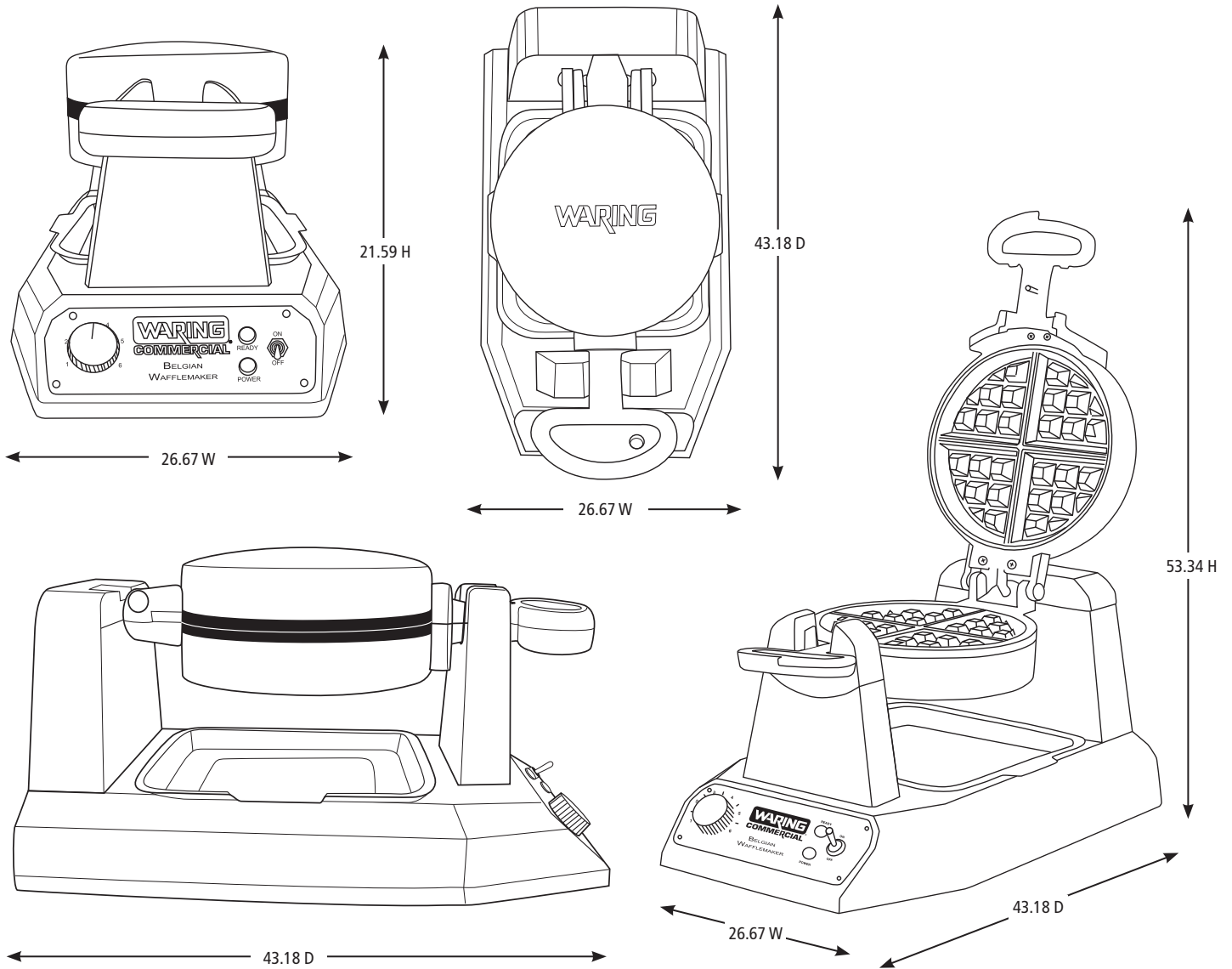
@waringcommercial

©2019 Waring Commercial
314 Ella T. Grasso Avenue, Torrington, CT 06790
Tel. 800-492-7464 • Fax 860-496-9008

waringcommercialproducts.com



DIMENSIONS (CM)



Out of Box Weight: 6.03 kg

ORDERING INFORMATION	#STD. PKG.	GIFTBOX WEIGHT (KG)	CUBIC METERS	BOX DIMENSIONS D X W X H (CM)	UPC	CASE PKG.	MC WEIGHT	MC DIMENSIONS D X W X H (CM)	MBC
WW180XCE – Single Belgian Waffle Maker	1	6.48	0.03	31.75 x 45.40 x 26.67	040072086557	1	6.48	33.65 x 46.35 x 28.57	10040072086554
WW180XCK – Single Belgian Waffle Maker	1	6.48	0.03	31.75 x 45.40 x 26.67	040072086540	1	6.48	33.65 x 46.35 x 28.57	10040072086547

